

Opto Interrupter

Features

- Direct mount type
- Gap : 1.0 mm
- Slit : 0.2 mm
- Compact
- Pb free
- RoHS compliant

Descriptions

ITR1202ST10A is an ultra small outline photo-interrupter, integrating both infrared emitter and silicon phototransistor detector with plastic molding housing.

Applications

- Printer
- Digital Camera
- Stumpers
- Opto switch

Opto Interrupter

Absolute Maximum Ratings (Ta=25°C)

Parameter		Symbol	Ratings	Unit
Input	Power Dissipation	P_d	75	mW
	Reverse Voltage	V_R	6	V
	Forward Current	I_F	50	mA
	Peak Forward Current ^{*1}	I_{FP}	1	A
Output	Collector Power Dissipation	P_C	75	mW
	Collector Current	I_C	20	mA
	Collector-Emitter Voltage	BV_{CEO}	35	V
	Emitter-Collector Voltage	BV_{ECO}	6	V
Operating Temperature		T_{opr}	-25~+85	°C
Storage Temperature		T_{stg}	-40~+85	°C
Lead Soldering Temperature ^{*2}		T_{sol}	260	°C

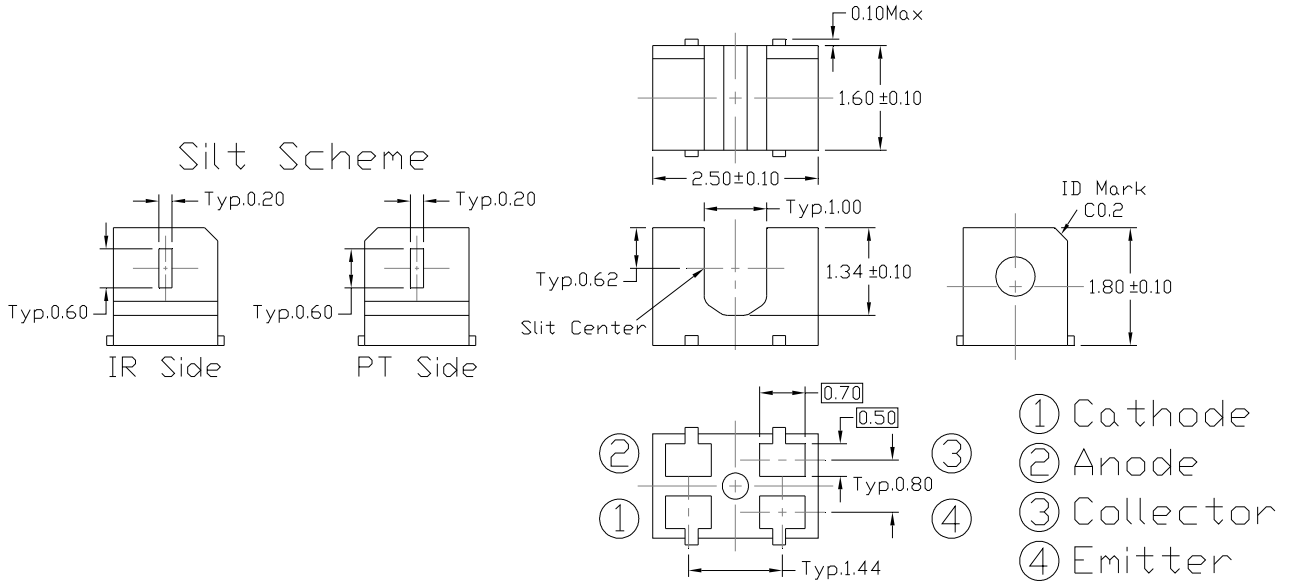
* 1. Pulse width $t_w = 100\mu s$, Period $T = 10ms$ * 2 $t \leq 5sec$ for max

Electro-Optical Characteristics (Ta=25°C)

Parameter		Symbol	Min.	Type.	Max.	Unit	Conditions
Input	Forward Voltage	V_F	---	1.2	1.4	V	$I_F = 20mA$
	Reverse Current	I_R	---	---	10	μA	$V_R = 6V$
Output	Dark Current	I_{CEO}	---	---	0.1	μA	$V_{CE} = 20V$
	C-E Saturation voltage	$V_{CE(sat)}$	---	---	0.4	V	$I_C = 0.05mA$ $I_F = 10mA$
Transfer Characteristics	Light Current	$I_{C(ON)}$	1	---	6	mA	$V_{CE} = 5V$ $I_F = 5mA$
	Rise time	t_r	---	15	---	μs	$V_{CE} = 5V$
	Fall time	t_f	---	15	---		$I_C = 1mA$ $R_L = 1000\Omega$

Opto Interrupter

Package Dimensions



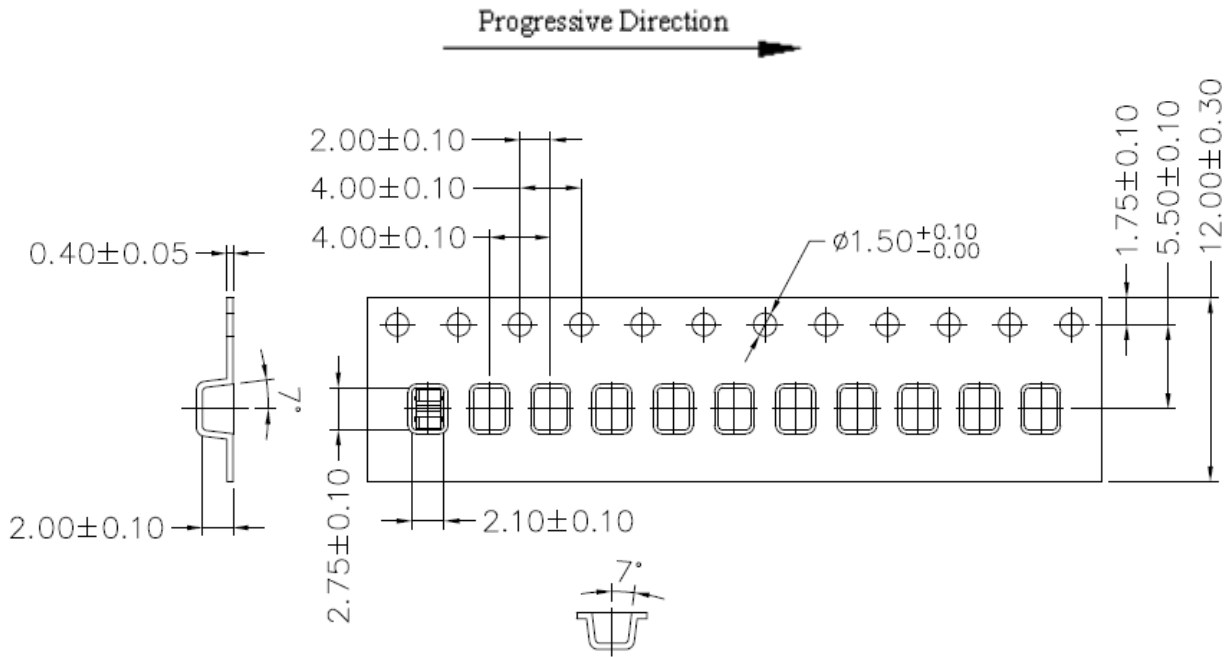
Notes : 1. All dimensions are in millimeters

Opto Interrupter

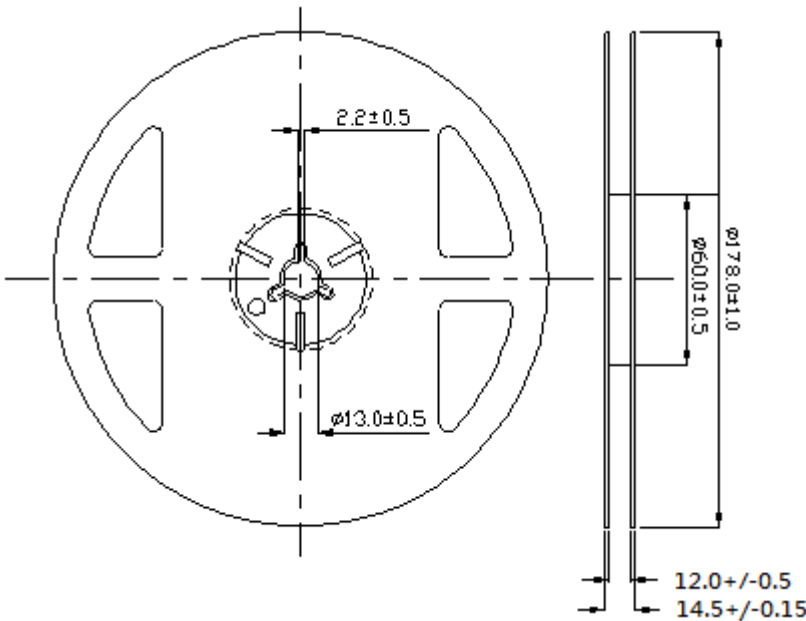
Packing Quantity Specification

1000pcs/reel,

Taping Dimension



Reel Dimensions



Note: The tolerances unless mentioned is ±1.0mm ,Unit = mm

Opto Interrupter

Label Form Specification



CPN: Customer's Production Number

P/N : Production Number

QTY: Packing Quantity

CAT: Ranks

HUE: Peak Wavelength

REF: Reference

LOT No: Lot Number

MADE IN TAIWAN: Production Place